

Installation Manual for the Tri-Amped VF Series Crossover



Odyssey Products, Inc.

Odyssey VF Series Electronic Tri-Amp Crossover

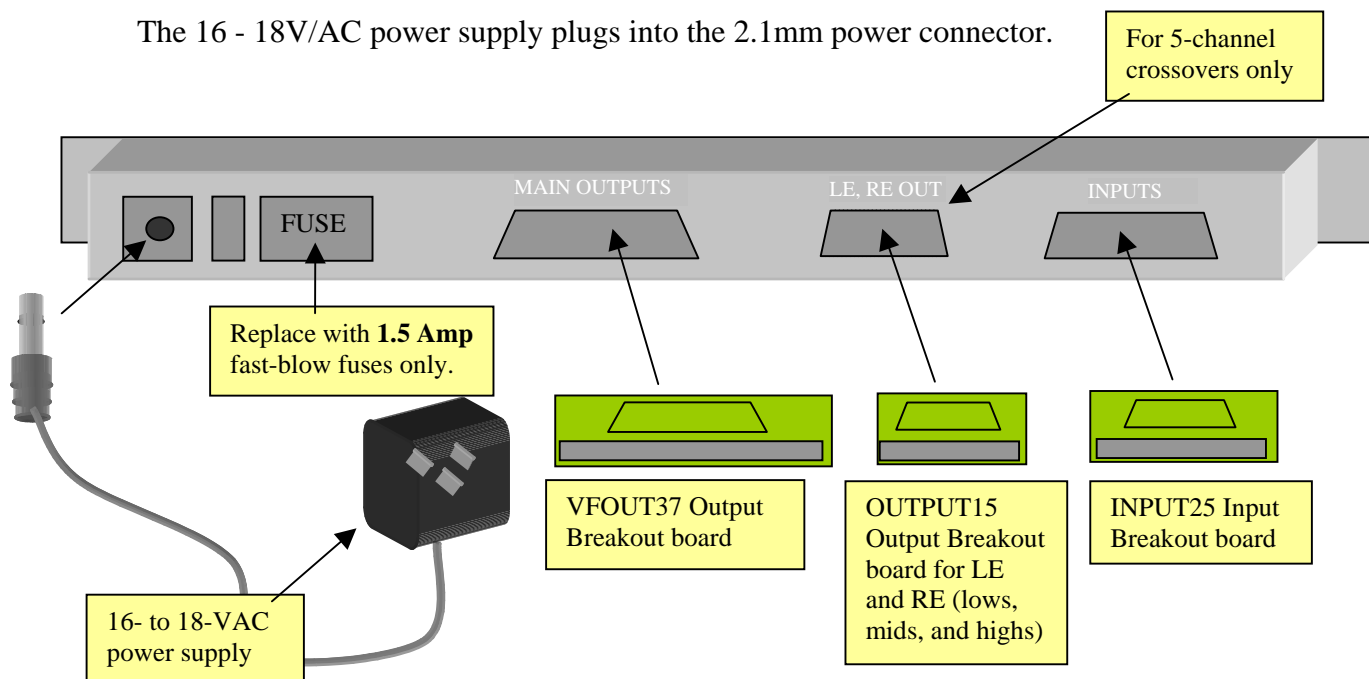
The Odyssey VF Series electronic crossover is designed to be a close-coupled device, specifically matched to the speaker system in the auditorium. Be sure that the crossover you receive is marked for the speakers you are using in the theatre.

The input and output connectors on the VF Crossovers are D-Sub connectors. Adapter cards are supplied with each crossover:

- | | |
|--|---|
| (1) DB25 Input Card
(Part No. INPUT25) | 8 Channel input (conforms to THX pin configuration). |
| (1) DB37 Output Card
(Part No. VFOUT37) | Left, Center, Right outputs.
High and low frequency outputs for bi-amped crossover.
High, low and mid outputs for tri-amped crossover.
Left surround, right surround, subwoofer, outputs passed through from the input card. |
| (1) DB15 Output card | Left extra, right extra outputs (for 5-channel VF only). |

The Input 25 card is marked with channel designations. The Output cards are numbered. Refer to the appropriate pin configuration page for correct output termination (bi-amped or tri-amped).

The 16 - 18V/AC power supply plugs into the 2.1mm power connector.



Odyssey Products, Inc.

5845 Oakbrook Parkway, Suite G / Norcross, GA 30093 / Phone: 770.825.0243 / Fax: 770.825.0245

Website: odyssey-products.com / E-mail: techdesk@odyssey-products.com

Input 25 Board Configuration

(Compatible with THX and Sony Pin-outs)

<i>Channel</i>	<i>On Card</i>	<i>DB25 Pin</i>
Left Shield	SH	1
Left Plus	L+	2
Left Minus	L-	14
Center Shield	SH	4
Center Plus	C+	5
Center Minus	C-	17
Right Shield	SH	7
Right Plus	R+	8
Right Minus	R-	20
Left Surround Shield	SH	9
Left Surround Plus	LS+	23
Left Surround Minus	LS-	10
Right Surround Shield	SH	22
Right Surround Plus	RS+	24
Right Surround Minus	RS-	11
Subwoofer Shield	SH	13
Subwoofer Plus	SW+	25
Subwoofer Minus	SW-	12
Left Extra Shield	SH	15
Left Extra Plus	LE+	16
Left Extra Minus	LE-	3
Right Extra Shield	SH	18
Right Extra Plus	RE+	19
Right Extra Minus	RE-	6

VFOUT37 Board Configuration

Tri-Amp Crossover

<i>Channel</i>	<i>DB37-Pin</i>	<i>Board Terminal</i>
Left Low Plus	1	L-L0 +
Left Low Minus	20	L-L0 -
Left Low Shield	2	L-L0 SH
Left Mid Plus	21	L-Mid +
Left Mid Minus	3	L-Mid -
Left Mid Shield	22	L-Mid SH
Left High Plus	4	L-Hi +
Left High Minus	23	L-Hi -
Left High Shield	5	L-Hi SH
Center Low Plus	24	C-L0 +
Center Low Minus	6	C-L0 -
Center Low Shield	25	C-L0 SH
Center Mid Plus	7	C-Mid +
Center Mid Minus	26	C-Mid -
Center Mid Shield	8	C-Mid SH
Center High Plus	27	C-Hi +
Center High Minus	9	C-Hi -
Center High Shield	28	C-Hi SH
Right Low Plus	10	R-L0 +
Right Low Minus	29	R-L0 -
Right Low Shield	11	R-L0 SH
Right Mid Plus	30	R-Mid +
Right Mid Minus	12	R-Mid -
Right Mid Shield	31	R-Mid SH
Right High Plus	13	R-Hi +
Right High Minus	32	R-Hi -
Right High Shield	14	R-Hi SH
<i>The following are passed through from the input DB25 Connector:</i>		
Left Surround Plus	33	LSurr +
Left Surround Minus	15	LSurr -
Left Surround Shield	34	LSurr SH
Right Surround Plus	16	RSurr +
Right Surround Minus	35	RSurr -
Right Surround Shield	17	RSurr SH
Subwoofer Plus	36	Sub/W +
Subwoofer Minus	18	Sub/W -
Subwoofer Shield	37	Sub/W SH
Chassis Ground	19	G

Odyssey Products, Inc.

5845 Oakbrook Parkway, Suite G / Norcross, GA 30093 / Phone: 770.825.0243 / Fax: 770.825.0245

Website: odyssey-products.com / E-mail: techdesk@odyssey-products.com

DB15 Output Pin Configuration

(for 5 channel crossovers only)

<i>Board Terminal Number</i>	<i>DB15 Pin</i>	<i>Channel</i>
1	1	Left Center Low Plus
2	9	Left Center Low Minus
3	2	Left Center Shield
4	10	Left Center Mid +
5	3	Left Center Mid –
6	11	Left Center High Plus
7	4	Left Center High Minus
8	12	Right Center Low Plus
9	5	Right Center Low Minus
10	13	Right Center Shield
11	6	Right Center Mid +
12	14	Right Center Mid –
13	7	Right Center High Plus
14	15	Right Center High Minus
15	8	Right Center Sheld

Warranty Information

Equipment manufactured by Odyssey Products is warranted against defects in materials and workmanship for a one-year period from the date of shipment. There are no other express or implied warranties.

Returns

During the warranty period, Odyssey will repair or replace, at its option, components which prove defective. Equipment must be returned shipped prepaid to Odyssey. Defects caused by modifications, misuse or accidents or shipping damage caused by inadequate packaging for service return are not covered by this warranty. A Return Authorization Number must be obtained from Odyssey or its agents prior to returning any products. The Return Authorization Number must be marked on all paperwork and labels

Please send all returns to:

Odyssey Products
5845 Oakbrook Parkway, Suite G
Norcross, GA 30093

Phone 770-825-0243
Fax 770-825-0245