

Installation Manual for Model

750-25-V1

Output breakout board for the CP750



Model 750-25-V1 Audio Output Board for CP750

The Model 750-25-V1 Output card is used to quickly connect a Dolby CP750's audio outputs to other equipment in the sound rack, such as crossovers, monitors, and amplifiers.

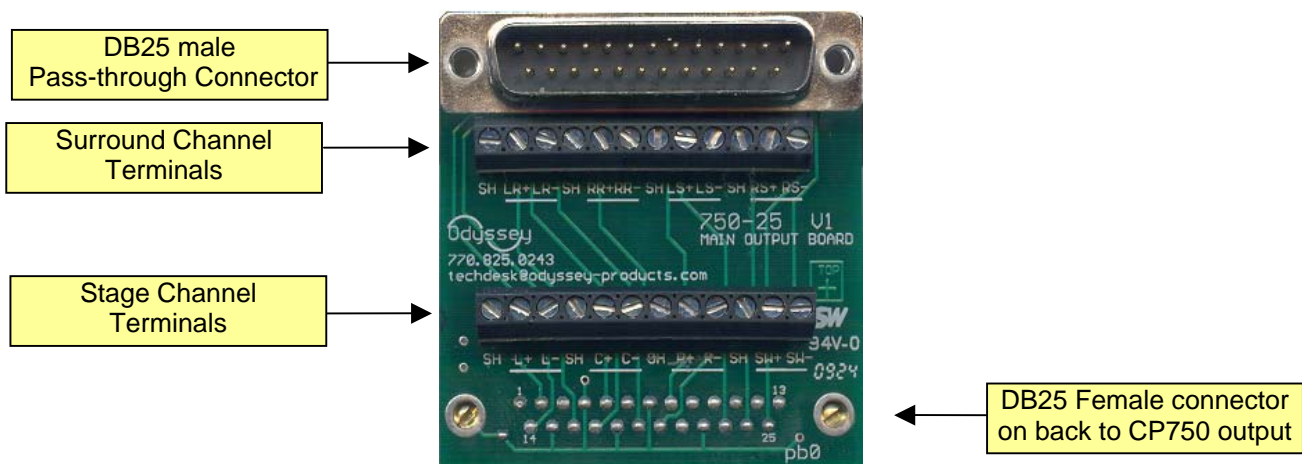
Stripped wires can be screwed into the terminals located on the card to send signals to amplifiers or other equipment. These terminals are labeled with the channel designations for 'plus', 'minus', and shield pins.

- The bottom bank of terminals is for the wires to the stage-channel amplifiers. Connect the wires for Left, Center, Right, and Subwoofer to these terminals.
- The top bank of terminals is for the wires to the surround-channel amplifiers. Terminals are provided for four channels of surrounds:

| | | | |
|----|------------------|----|---------------------------------------|
| LS | - Left Surround | LR | - Left Rear Surround (EX) (or "BSL") |
| RS | - Right Surround | RR | - Right Rear Surround (EX) (or "BSR") |

The DB25 male connector at the top of the card also contains the audio outputs (passed-through directly from the output connector on the CP750), and has the same pin-configuration as THX and Sony equipment.

A 25-pin or ribbon cable, such as the Odyssey Model 109, can be plugged into this connector, with the other end connecting directly to the input of a most modern crossovers and monitors.



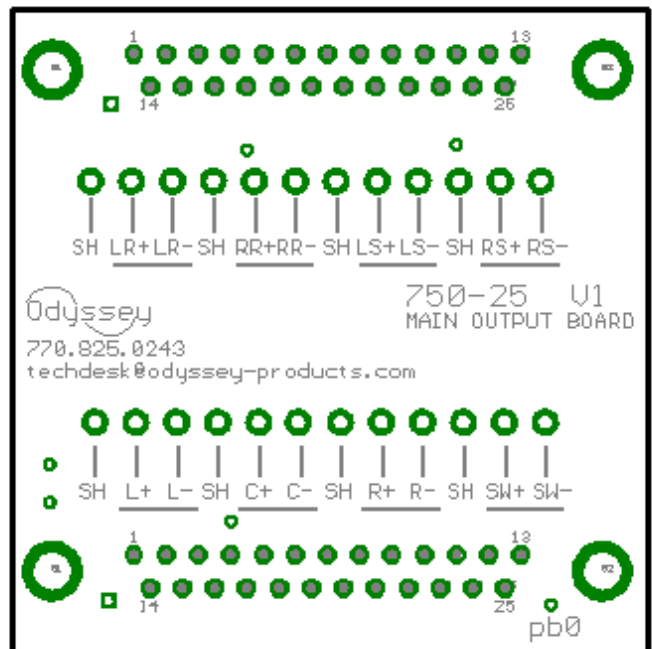
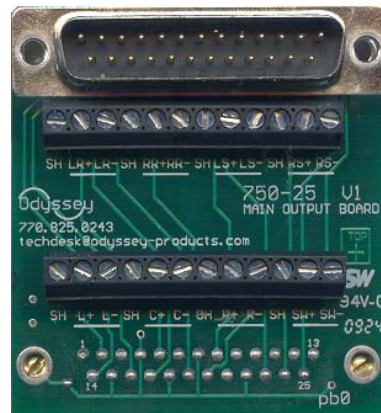
Connecting the 750-25-V1 board to the CP750



Terminals and Pin configuration

| | | | |
|---------------------|-----|-------------|---------|
| Left Rear Surround | Sh | (Chassis) | |
| | LR+ | DB25-Pin 16 | ("Le+") |
| | LR- | DB25-Pin 3 | ("Le-") |
| Right Rear Surround | Sh | (Chassis) | |
| | RR+ | DB25-Pin 19 | ("Re+") |
| | RR- | DB25-Pin 6 | ("Re-") |
| L-SURR. | Sh | (Chassis) | |
| | LS+ | DB25-Pin 23 | |
| | LS- | DB25-Pin 10 | |
| R-SURR. | Sh | (Chassis) | |
| | RS+ | DB25-Pin 24 | |
| | RS- | DB25-Pin 11 | |
| LEFT | Sh | (Chassis) | |
| | L+ | DB25-Pin 2 | |
| | L- | DB25-Pin 14 | |
| CNTR. | Sh | (Chassis) | |
| | C+ | DB25-Pin 5 | |
| | C- | DB25-Pin 17 | |
| RIGHT | Sh | (Chassis) | |
| | R+ | DB25-Pin 8 | |
| | R- | DB25-Pin 20 | |
| SUBW. | Sh | (Chassis) | |
| | SW+ | DB25-Pin 25 | |
| | SW- | DB25-Pin 12 | |

(Chassis pins: 1, 4, 7, 9, 13, 15, 18, and 21)



Warranty Information

Equipment manufactured by Odyssey Products is warranted against defects in materials and workmanship for a one-year period from the date of shipment. There are no other express or implied warranties.

Returns

During the warranty period, Odyssey will repair or replace, at its option, components which prove defective. Equipment must be returned shipped prepaid to Odyssey. Defects caused by modifications, misuse or accidents or shipping damage caused by inadequate packaging for service return are not covered by this warranty. A Return Authorization Number must be obtained from Odyssey or its agents prior to returning any products. The Return Authorization Number must be marked on all paperwork and labels

Please send all returns to:

Odyssey Products
5845 Oakbrook Parkway, Suite G
Norcross, GA 30093

Phone 770-825-0243
Fax 770-825-0245