

**Installation Manual for the
Model 14650 Card
Automation Breakout Card**

01/09



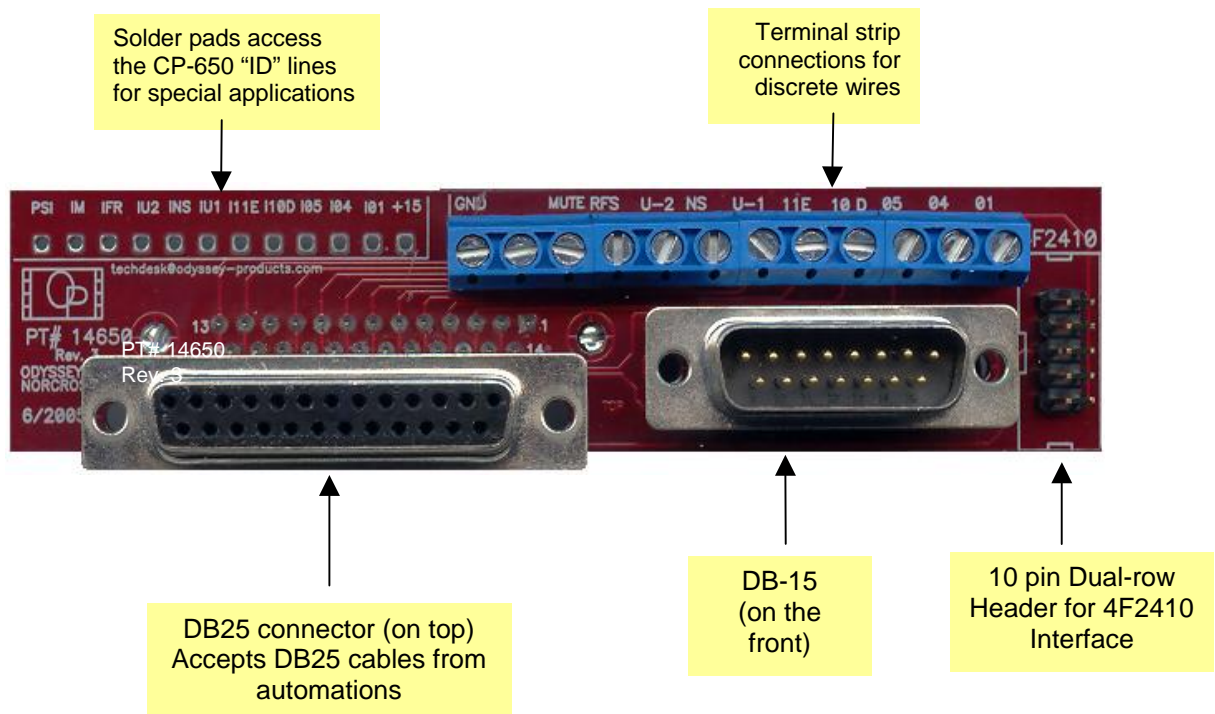
Model 14650 Rev.3 Automation Breakout Card

The 14650 Rev.3 Card provides a convenient terminal strip for connecting automation control wires to the Automation connector on the back of the Dolby CP-650. There is no need to solder individual wires to a DB25 connector. The wires are screwed into the terminal strip on top of the circuit board.

There is a DB15 male connector on top of the card, which is used by the Odyssey 07, 08, and 08R Digital Interface Panels, as well as the digital parking kit series.

There is also a DB25 female connector on top of the card, for use with automation cables terminated with DB25 connectors.

There are also solder pads provided for access to the "ID" lines on the DB25 automation connector (pins 13 through 25).



Model 14650 Card Automation Breakout Card

Solder Pad Connections

(Break-outs from the DB25 Automation connector – See the CP-650 Installation Manual for pin specifications)

+15	DB25-13	+15V
I 01	DB25-14	ID0 Mono indicator
I 04	DB25-15	ID1 04 indicator
I 05	DB25-16	ID2 05 indicator
I 10D	DB25-17	ID3 10 indicator
I 11E	DB25-18	ID4 11 indicator
I U1	DB25-19	ID5 User1 indicator
I NS	DB25-20	ID6 Nonsync indicator
I U2	DB25-21	ID7 User2 indicator
I FR	DB25-22	Remote Fader indicator
I M	DB25-23	Mute indicator
PS I	DB25-25	Projector Status indicator

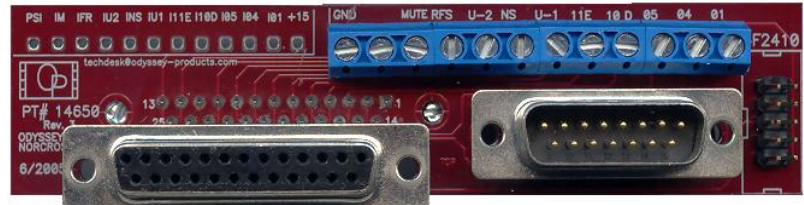
Terminal Strip Connections

01	Mono format 01
04	Type A format 04
05	SR Stereo format 05
10D	Internal Digital format 10
11E	External Digital format 11
U-1	User format 1
NS	Non-Sync format
U-2	User format 2
RFS	Remote Fader Select
Mute	Mute
E	Digital Ground

DB25 connectors (front and back)

(See CP-650 Manual for pin specifications)

1	S0 (01 Mono)
2	S1 (04 A-Type)
3	S2 (05 SR)
4	S3 (10 Digital)
5	S4 (11 External Digital 6-ch)
6	S5 (format User1)
7	S6 (format Non-sync)
8	S7 (format User2)
9	Remote Fader Select
10	Mute
11	nc
12	Digital Ground
13	+15 volts (thru a PTC resistor)
14	ID0 Mono 01 indicator
15	ID1 Type A 04 indicator
16	ID2 SR Stereo 05 indicator
17	ID3 Internal Dig. 10 indicator
18	ID4 External Dig. 11 indicator
19	ID5 User 1 indicator
20	ID6 Non-Sync indicator
21	ID7 User 2 indicator
22	Fader local/remote indicator
23	Mute indicator
24	nc
25	Projector Status indicator



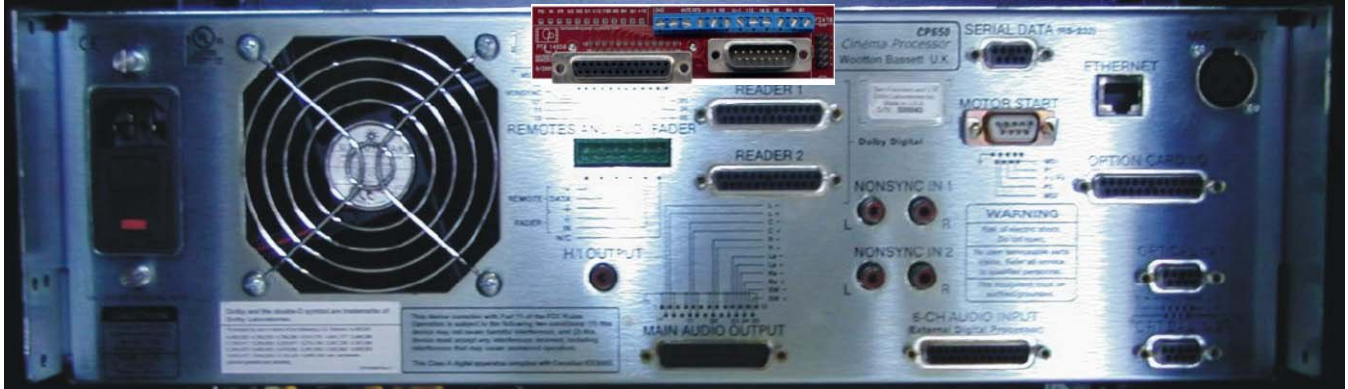
DB15 connector (Odyssey pinout)

(Pins 1 through 9 are not used by this card)

1	Left Channel
2	Left Surround
3	Center Channel
4	Right Surround
5	Right Channel
6	Subwoofer
7	NC
8	Audio Shield
9	Audio Ground
10	Format 05 (SR) Switch
11	Format (NS) Switch
12	Format 04 (Type A Switch)
13	NC
14	Format 11 (Ext. Digital) Switch
15	Digital Switching Ground

External 6-channel Inputs

Connecting the 14650 Card to the CP650



1. Plug the 14650 Card onto the DB25 female automation connector. This is the connector near the top of the CP650, next to the fan.
2. Gently tighten the D-Sub lock-down screws with a small flat head screwdriver.
3. Attach any discrete sound format wires from the automation to the green screw-cage terminals at the top of the 14650 Card.
4. Plug any extra DB25 automation cables onto the topside DB25 female connector.

Warranty Information

Equipment manufactured by Odyssey Products is warranted against defects in materials and workmanship for a one-year period from the date of shipment. There are no other express or implied warranties.

Returns

During the warranty period, Odyssey will repair or replace, at its option, components which prove defective. Equipment must be returned shipped prepaid to Odyssey. Defects caused by modifications, misuse or accidents or shipping damage caused by inadequate packaging for service return are not covered by this warranty. A Return Authorization Number must be obtained from Odyssey or its agents prior to returning any products. The Return Authorization Number must be marked on all paperwork and labels

Please send all returns to:

Odyssey Products
5845 Oakbrook Parkway, Suite G
Norcross, GA 30093

Phone 770-825-0243
Fax 770-825-0245